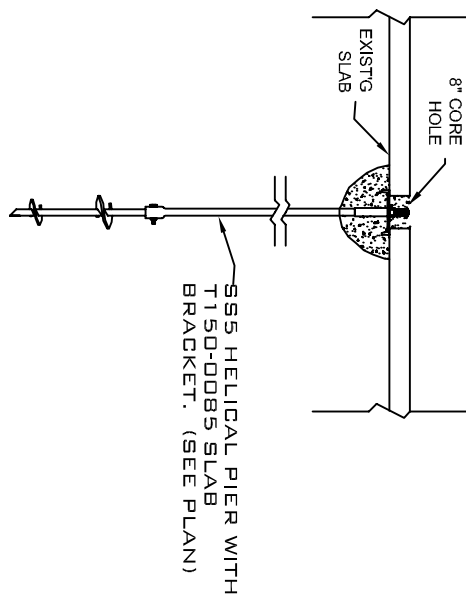


A SECTION
SCALE: 1/2" = 1'-0"



B SECTION
SCALE: 1/2" = 1'-0"

S.01

DATE: APR. 2009 SCALE: XXXX

**LEVELIFT
SYSTEMS INC.**

Maryland's Premier Foundation Specialists

LEVELIFT SYSTEMS, INC.

8264-i PRESTON CT.

JESSUP, MD 20794

OFFICE: 301-369-3400

FAX: 301-776-7968

EMAIL: admin@levelift.com

Professional Certification:
I hereby certify that these documents were prepared or approved by me, and that I am a duly licensed professional Engineer under the Laws of the State of Maryland.

License No. _____ Exp. Date: _____